

WL60

Articulated Wheel Loaders



**WACKER
NEUSON**
all it takes!



The efficient top performer

The WL60 can't be beat in efficiency: Thanks to the optionally available demand-controlled load sensing system, which ensures that the work hydraulics do not run as well when driving. This reduces the energy consumption of the machine significantly. The WL60 also offers state-of-the-art engine technology according to the latest emission standard level IV. The so-called flow sharing allows for the simultaneous operation of several work functions such as lifting, rolling-in or operating a hydraulic attachment. In addition, the WL60 is extremely stable thanks to an optimal weight distribution and has the greatest lifting height of its performance class. The WL60 is therefore the optimal choice when things are to be quick and environmentally friendly.

- Several engines to choose from, with or without SCR system (Selective Catalytic Reduction)
- 3.5 inch color display with many functions and clear control lights
- 40 km/h variant due to larger motors with higher torque (optional)
- Optional on-roof climate control for more operator comfort
- Optimized use of attachment tools by oil level regulation, high flow option and continuous function for the 3rd and 4th control circuits

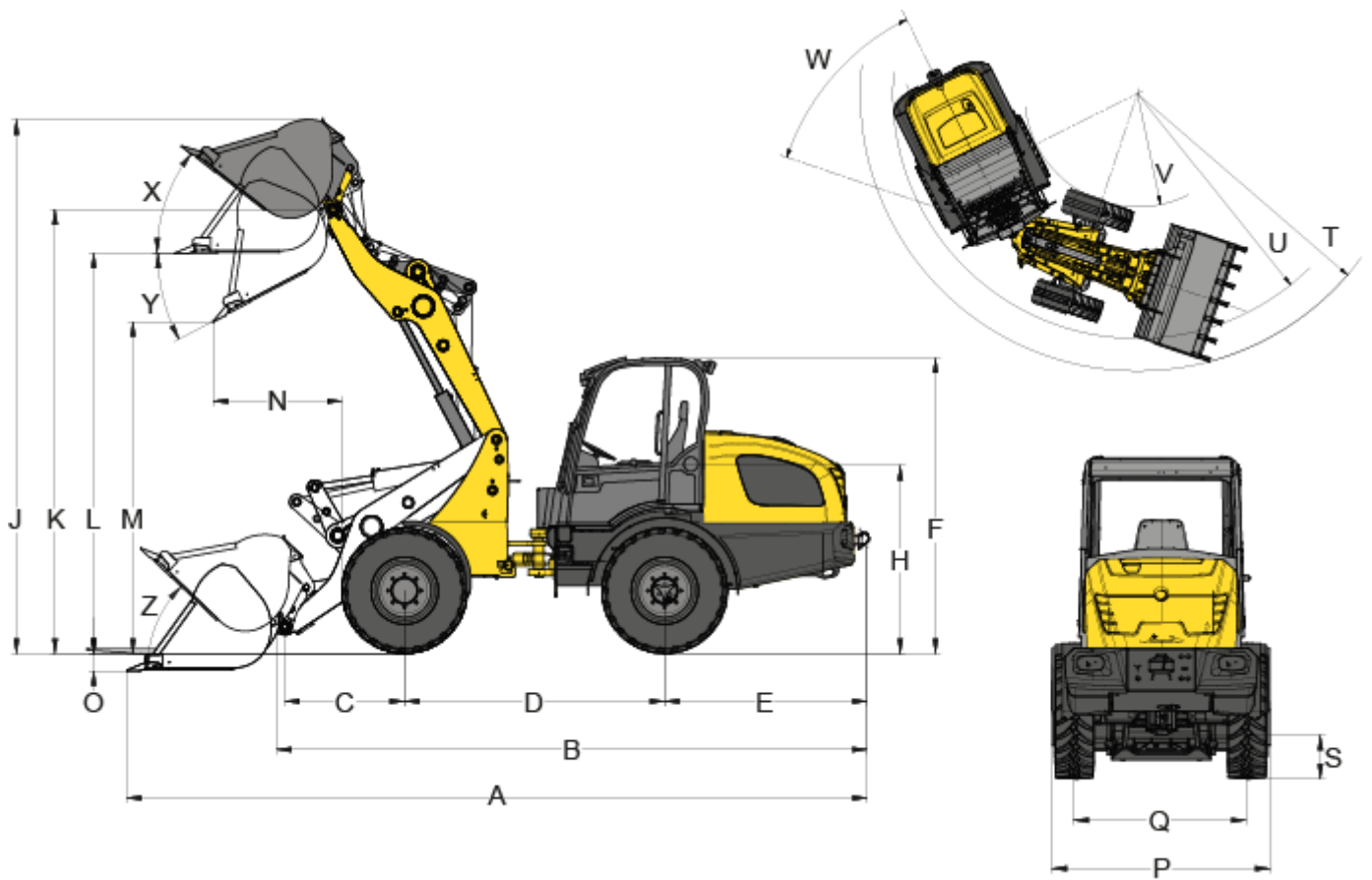
WL60 Technical specifications

| | Engine standard | Engine optional |
|--|---------------------------------------|--------------------|
| Engine / Motor | | |
| Engine / Motor manufacturer | Perkins | Perkins |
| Engine / Motor type | 854F-E34TAWF | 854E-E34TAWF |
| Cylinder | 4 | 4 |
| Engine performance kW | 75 | 90 |
| at rpm Maximum rpm | 2,200 | 2,200 |
| Displacement cm ³ | 3,400 | 3,400 |
| Coolant type | Water / charge air | Water / charge air |
| DEF Type | DOC+SCR | DOC+SCR |
| Emission standards stage | IV | IV |
| Electrical system | | |
| Operating voltage V | 12 | |
| Battery Ah | 95 | |
| Alternator A | 120 | |
| Weights | | |
| Operating weight kg | 5,930 | |
| Tipping load with bucket - machine straight kg | 3,674 | |
| Tipping load with bucket - machine at angle kg | 3,031 | |
| Tipping load with pallet fork - machine straight kg | 3,344 | |
| Tipping load with pallet fork - machine at angle kg | 2,791 | |
| Vehicle data | | |
| Bucket capacity Standard bucket m ³ | 1 | |
| Traction drive | Hydrostatic via universal joint shaft | |
| Axles | PA1422 | |
| Drivers cab | Cabin | |
| Speed (optional) km/h | 0-20 (30, 40) | |
| Speed Level | 2 | |
| Standard tires | 405/70 R 18 EM ET0 | |
| Hydraulic system | | |
| Driving hydraulics - operating pressure bar | 445 | |
| Operating hydraulics - operating pressure bar | 210 | |
| Operating hydraulics - discharge capacity l/min | 100 | |
| Operating hydraulics - discharge capacity (optional up to) l/min | 150 | |
| Filling capacities | | |
| Fuel tank capacity l | 105 | |
| Hydraulic oil tank l | 95 | |
| Sound level | | |

| | Engine standard | Engine optional |
|--|-----------------|-----------------|
| Guaranteed sound power level LwA dB(A) | 103 | |
| Specified sound pressure level LpA dB(A) | 78 | |

Standard bucket = digging bucket, 2,000 mm width
Tipping load calculation according to ISO 14397-EN474-3

WL60 Dimensions



| | | |
|---|---|--------------------|
| | Standard tires | 405/70 R 18 EM ETO |
| A | Overall length | 5,898 mm |
| B | Overall length without bucket | 4,780 mm |
| C | Bucket pivot point to axle center | 991 mm |
| D | Wheelbase | 2,150 mm |
| E | Rear overhang | 1,676 mm |
| F | Height With cabin | 2,693 mm |
| H | Seat height | 1,609 mm |
| J | Total operating height | 4,409 mm |
| K | Stroke height max. - bucket pivot point | 3,686 mm |
| L | Overhead loading height | 3,375 mm |
| M | Dump height max. | 2,841 mm |
| N | Range with M | 799 mm |
| O | Scraping depth | 74 mm |
| P | Overall width | 1,829 mm |
| Q | Track width | 1,422 mm |
| S | Ground clearance | 375 mm |
| T | Radius maximum | 4,072 mm |
| U | Radius at outer edge | 3,686 mm |
| V | Inside turning radius | 1,666 mm |
| W | Articulation angle | 42 ° |

| | | |
|---|---------------------------------------|------|
| X | Bucket rollback at max. stroke height | 33 ° |
| Y | Dump angle Maximum | 33 ° |
| Z | Bucket rollback at ground level | 39 ° |

All values with standard bucket: Digging bucket 2,000 mm, 1.0 m³ and standard tires: 405/70 R 18 EM ETO

Please note: that product availability can vary from country to country. It is possible that information / products may not be available in your country. More detailed information on engine power can be found in the operator's manual; the stated power may vary due to specific operating conditions. Subject to alterations and errors excepted. Applicable also to illustrations.

Copyright © 2020 Wacker Neuson SE.