

WL38

Articulated Wheel Loaders



**WACKER
NEUSON**
all it takes!



The top performer on the construction site

The extremely compact, yet powerful design of the wheel loader WL38 makes it into a popular helper on any construction site. Thanks to the built-in PZ-kinematics – a practical combination of P and Z kinematics – the WL 38 offers high tear-out forces with simultaneously first-class parallel guidance. It is therefore the ideal partner for efficient material handling in close proximity

- Very maneuverable with low passage width
- Hydrostatic all-wheel drive and articulated pendulum steering
- Fold-down driver's cabin offers optimal service accessibility
- Combined P and Z kinematics
- Large selection of attachments

WL38 Technical specifications

WL38

	Engine standard	Optional engine*
Engine / Motor		
Engine / Motor manufacturer	Perkins	Deutz
Engine / Motor type	404 D-22	TCD 2.9 L4 S5
Cylinder	4	4
Engine performance kW	36.3	55.4
at rpm Maximum rpm	2,800	2,300
Displacement cm ³	2,216	2,900
Coolant type	Water	Water / charge air
DEF Type	-	DOC+DPF
Emission standards stage	IIIA	V
Electrical system		
Operating voltage V	12	12
Battery Ah	95	95
Alternator A	95	95
Weights		
Operating weight kg	4,200	4,300
Tipping load with bucket - machine straight kg	2,983	3,719
Tipping load with bucket - machine at angle kg	2,494	3,113
Tipping load with pallet fork - machine straight kg	2,570	3,170
Tipping load with pallet fork - machine at angle kg	2,173	2,662
Vehicle data		
Bucket capacity Standard bucket m ³	0.6	0.6
Traction drive	Hydrostatic via universal joint shaft	Hydrostatic via universal joint shaft
Axles	PA1200	PA1200
Drivers cab	Cabin	Cabin
Speed (optional) km/h	0-20 (28)	0-20 (28)
Speed Level	2	2
Standard tires	15.5/55 R 18 EM ET0	425/55 R 17 AS ET-40 Alliance 570
Hydraulic system		
Driving hydraulics - operating pressure bar	445	445
Operating hydraulics - operating pressure bar	210	210
Operating hydraulics - discharge capacity l/min	56	56
Operating hydraulics - discharge capacity (optional up to) l/min	116	116
Filling capacities		
Fuel tank capacity l	65	65
Hydraulic oil tank l	50	50

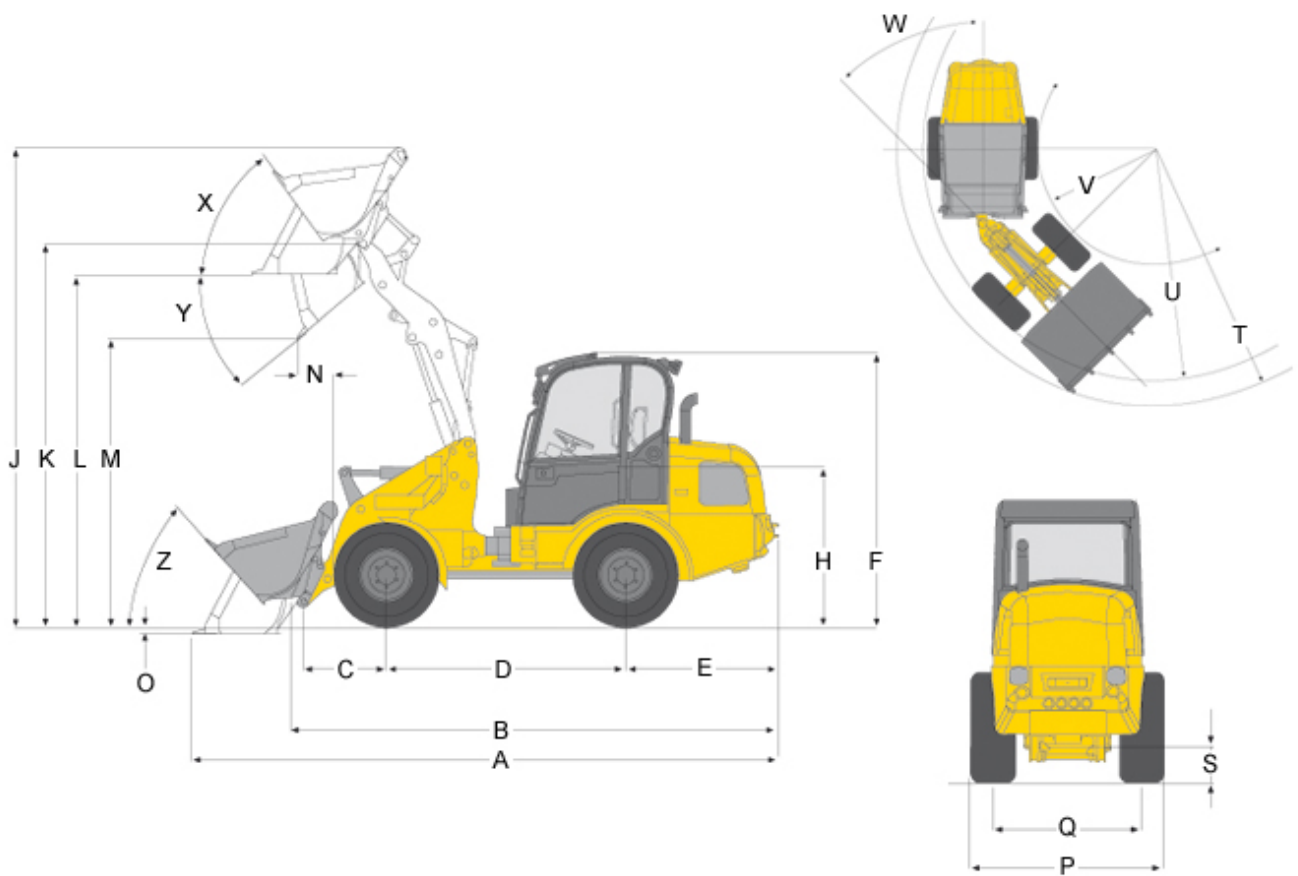
	Engine standard	Optional engine*
Sound level		
Guaranteed sound power level LwA dB(A)	101	101
Specified sound pressure level LpA dB(A)	78	78

Standard bucket = digging bucket, 1,650 mm width

Tipping load calculation according to ISO 14397-EN474-3

*Equipment version (large cabin, counterweight floor plate 122 kg, tires 425/55 R 17 AS ET0 Alliance 570)

WL38 Dimensions



		15.5/55 R 18 EM ET0
	Standard tires	15.5/55 R 18 EM ET0
A	Overall length	5,138 mm
B	Overall length without bucket	4,344 mm
C	Bucket pivot point to axle center	675 mm
D	Wheelbase	2,045 mm
E	Rear overhang	1,516 mm
F	Height With cabin	2,371 mm
F	Height with high cabin	2,548 mm
H	Seat height	1,204 mm
J	Total operating height	3,828 mm
K	Stroke height max. - bucket pivot point	3,251 mm
L	Overhead loading height	2,892 mm
M	Dump height max.	2,379 mm
N	Range with M	155 mm
O	Scraping depth	120 mm
P	Overall width	1,570 mm
Q	Track width	1,200 mm
S	Ground clearance	312 mm
T	Radius maximum	3,652 mm
U	Radius at outer edge	3,317 mm

V	Inside turning radius	1,640 mm
W	Articulation angle	45 °
X	Bucket rollback at max. stroke height	43 °
Y	Dump angle Maximum	42 °
Z	Bucket rollback at ground level	41 °

All values with standard bucket: Digging bucket 1,650 mm, 0.60 m³ and standard tires: 15.5/55 R 18 EM ET0

Please note: that product availability can vary from country to country. It is possible that information / products may not be available in your country. More detailed information on engine power can be found in the operator's manual; the stated power may vary due to specific operating conditions. Subject to alterations and errors excepted. Applicable also to illustrations.
Copyright © 2020 Wacker Neuson SE.